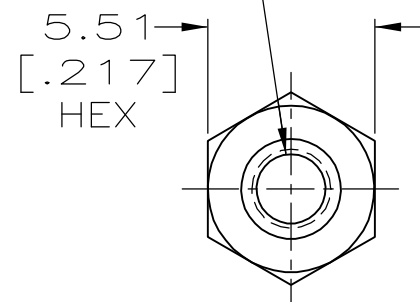


THIS DRAWING IS UNPUBLISHED. RELEASED FOR PUBLICATION
 © COPYRIGHT BY TYCO ELECTRONICS CORPORATION. ALL RIGHTS RESERVED.

| LOC | DIST | REVISIONS | | | | | |
|-----|------|-----------|-----|------------------------------|---------|-----|------|
| GP | 00 | P | LTR | DESCRIPTION | DATE | DWN | APVD |
| | | 0 | | RELEASED PER EC 0S13-0207-05 | 28JUN05 | SW | JG |

M3 X .5 THREAD
 3.05 MIN DEPTH
 [.120]



FEMALE SCREWLOCK
 QTY:2

WASHER
 QTY:4

LOCK WASHER
 QTY:2

NUT
 QTY:2

4.78
[.188]

7.92
[.312]

M3 X .5 THREAD

1 ZINC PLATED .000200-.000400 THICK,
 YELLOW CHROMATE COATING.

2 ZINC PLATED .000200-.000400 THICK,
 CLEAR CHROMATE COATING.

3. PARTS PACKAGED UNASSEMBLED.

4. PARTS PACKED AS A UNIT KIT.

| | |
|--------|-------------|
| 2 | 5207872-3 |
| 1 | 5207872-1 |
| FINISH | PART NUMBER |

| | | | | | |
|--|--|-------------------------------|---|--------------------|-------------------------|
| THIS DRAWING IS A CONTROLLED DOCUMENT. | | DWN S.WAITMAN 28JUN05 | Tyco Electronics Corporation Harrisburg, Pa 17105-3608 | | |
| DIMENSIONS: mm [INCHES] | | CHK C.ROHDE 28JUN05 | | | |
| TOLERANCES UNLESS OTHERWISE SPECIFIED: | | APVD M.WALMSLEY 28JUN05 | NAME SCREWLOCK KIT, FEMALE, METRIC, AMPLIMITE | | |
| | | PRODUCT SPEC | - | | |
| MATERIAL COLD ROLLED STEEL | | FINISH SEE TABLE | APPLICATION SPEC | - | |
| | | WEIGHT - | SIZE A3 | CAGE CODE 00779 | DRAWING NO C-5207872 |
| CUSTOMER DRAWING | | | RESTRICTED TO | - | |
| | | | SCALE 4:1 | SHEET 1 OF 1 | REV 0 |